

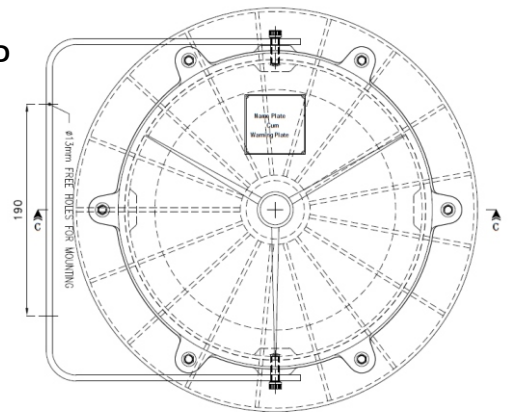


DATA SHEET FOR FLP FLOOD LIGHT FITTING

FLP-WP-FLOOD LIGHT UP TO 300 WATT LED

TECHNICAL DATA:

- PRODUCT : CAT. NO.- WG/1240
- ENCLOSURE : FLAME PROOF (Ex -d), Gas Group IIA , IIB , IIC
As per IS/IEC 60079-1 : 2014
- PROTECTION : WEATHER PROOF IP – 66 AS PER IS/IEC 60529:2001
(Reaffirmed 2014)
- AREA & TEMP. CLASS : Ex db IIC T6 Gb (EX tb / tc IIIC T85 C Db/Dc
(ZONE 1 & 2 & Zone 21 & 22)
- CERIFICATION : CIMFR, BIS, PESO
- TEMPERATURE CLASS : T 6
- MATERIAL : DIE CAST ALUMINIUM ALLOY
- FINISH : EPOXY POWDER COATED SHADE AS PER IS : 5
- EARTHING : 1 No INTERNAL & 2 No's EXTERNAL
- HARDWARE : STAINLESS STEEL
- GASKET : 'O' RING ENDLESS GASKET NEOPRENE / SILICON
- NAME PLATE : SS NAME PLATE CUM WARNING PLATE
- GLASS : HEAT RESISTANT CLEAR TYPE-A TOUGHENED
GLASS (FLAT)
- ENTRIES : 2 Nos M20 / ½ " NPT / EQUIVALENT
- VOLTAGE : 140 V – 270 V (240 V AC)
- POWER FACTOR : ≥ 0.95
- INPUT FREQUENCY : 50 Hz.
- EFFICACY : ≥ 100 LUMEN PER WATT
- COLOUR (CCT) : 3000K / 5700K / 6500 K / OR AS SPECIFIED
- CRI : ≥ 80 RA
- THD : ≤ 10 % THD
- SURFACE TEMP. : MAX . 70°
- SURGE PROTECTION : 10 KV SPD
- LED MAKE : CITIZEN / OSRAM / BRIDGELUX / EQUIVALENT
- DRIVER MAKE : OSRAM / PHILIPS / FULHAM / EQUIVALENT
- BIS APPROVED



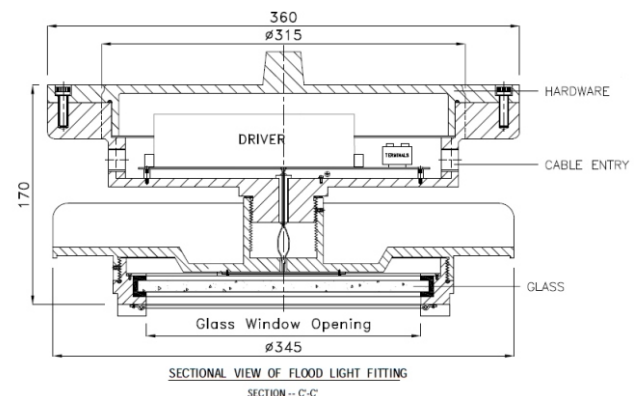
Plan View of Flood Light Fitting (TYPE - 1)

OPTIONS

SR.NO	PARTICULAR	OPTIONS
1.	MATERIAL OF CONSTRUCTION	STAINLESS STEEL
2.	VOLTAGE	220V DC / 110 V AC / 110 V DC / 24 V AC
3.	BEAM ANGLE	LENS AVAILABLE 60/90/120 DEGREE
4.	LED TYPE	COB / SMD
5.	BATTERY BACK UP	UP TO 90 MINS
6.	GLAND & PLUG	BRASS / SS / ALUMINIUM
7.	COLOUR SHADE	631, 632, 355, 7031, 7032 etc.
8.	WIRE GUARD	MS WHITE EPOXY POWDER COATED / SS

SELECTION CHART

SR.NO	WATTAGE	PART NO
1	250	WG/1240 / FL / 250
2	300	WG/1240 / FL / 300



SECTIONAL VIEW OF FLOOD LIGHT FITTING SECTION -- C-C'